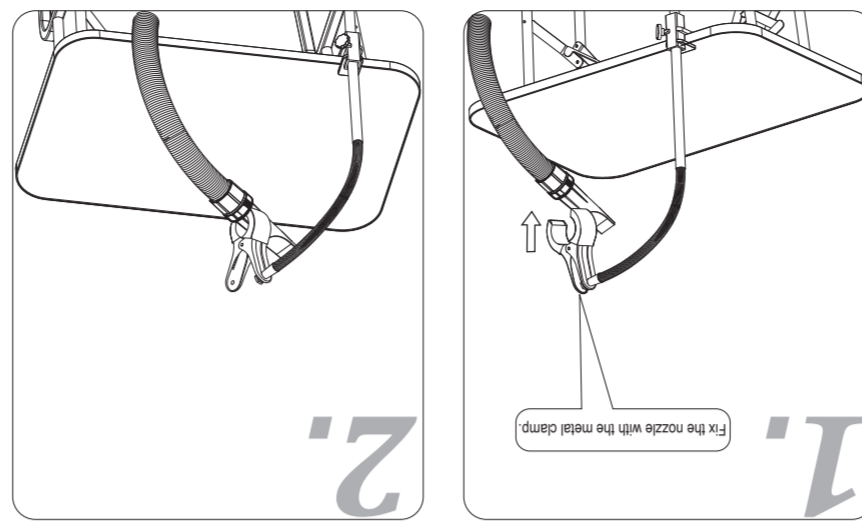
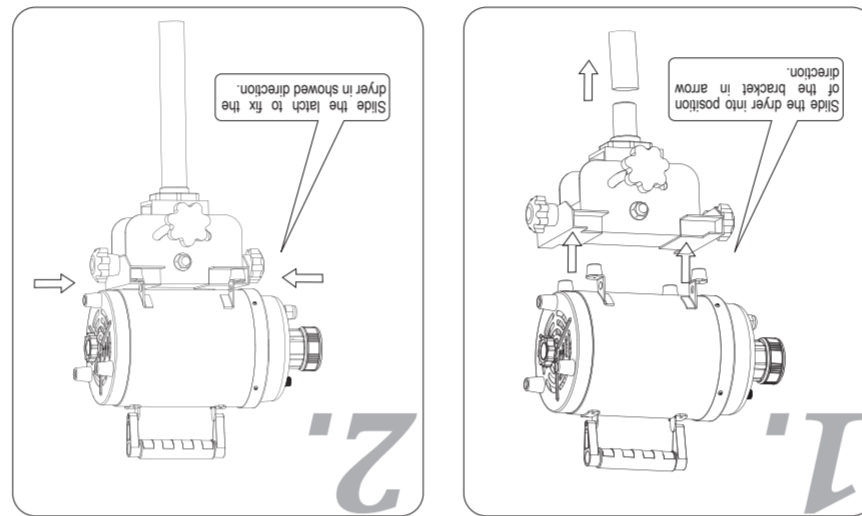


## Wall-mounting Bracket

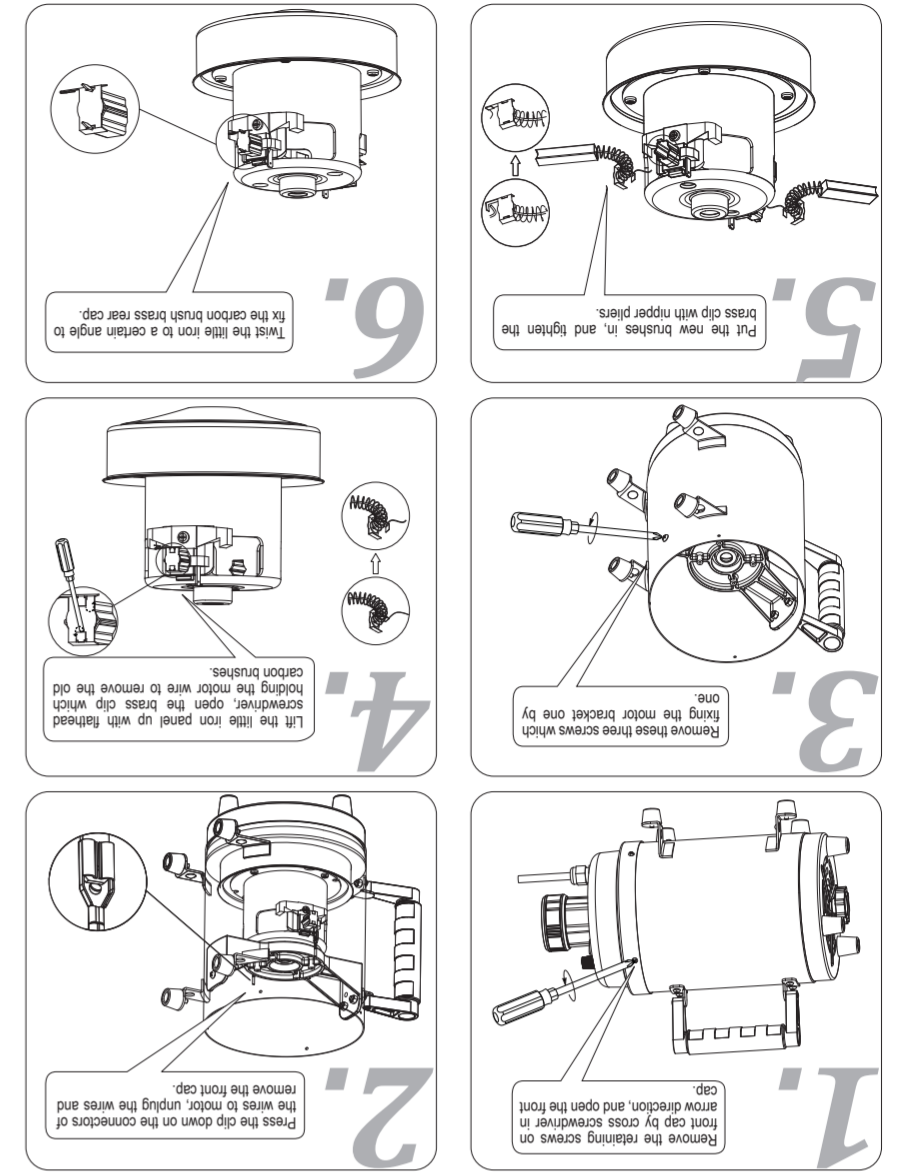


## Groomers Third Arm



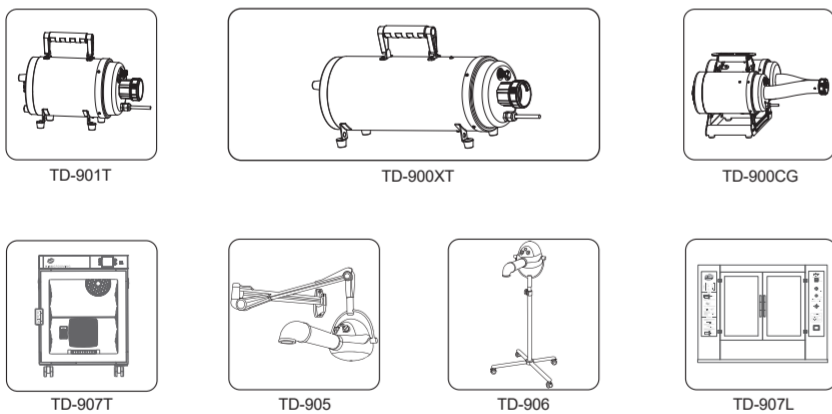
## Dryer Stand

※ The power supply must be cut off before changing carbon brushes.



## Carbon Brush

**AEOLUS**  
Professional Pet Drying Equipments Supplier



Distributor Contacts

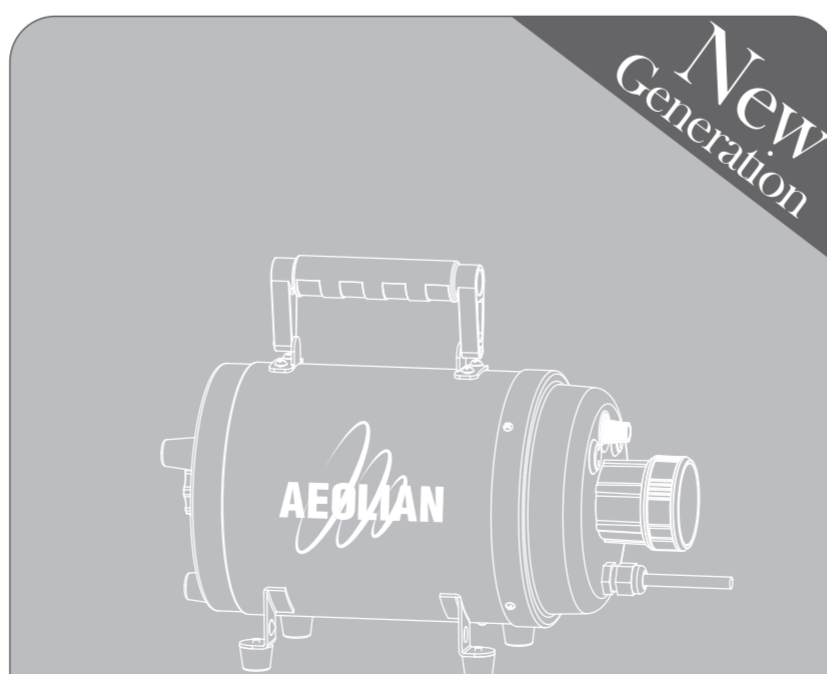


# AEOLIAN

PET DRYER

TD-901GT

Pro for Pros



Owner's Guide

**A** New Legend  
**E**xtraordinary Blow Force  
**O**utstanding Durability and Sturdiness  
**L**ong Lasting Carbon Brush & Motor  
**U**nbeatable Single Motor Dryer  
**S**uperb Noise Control Technique

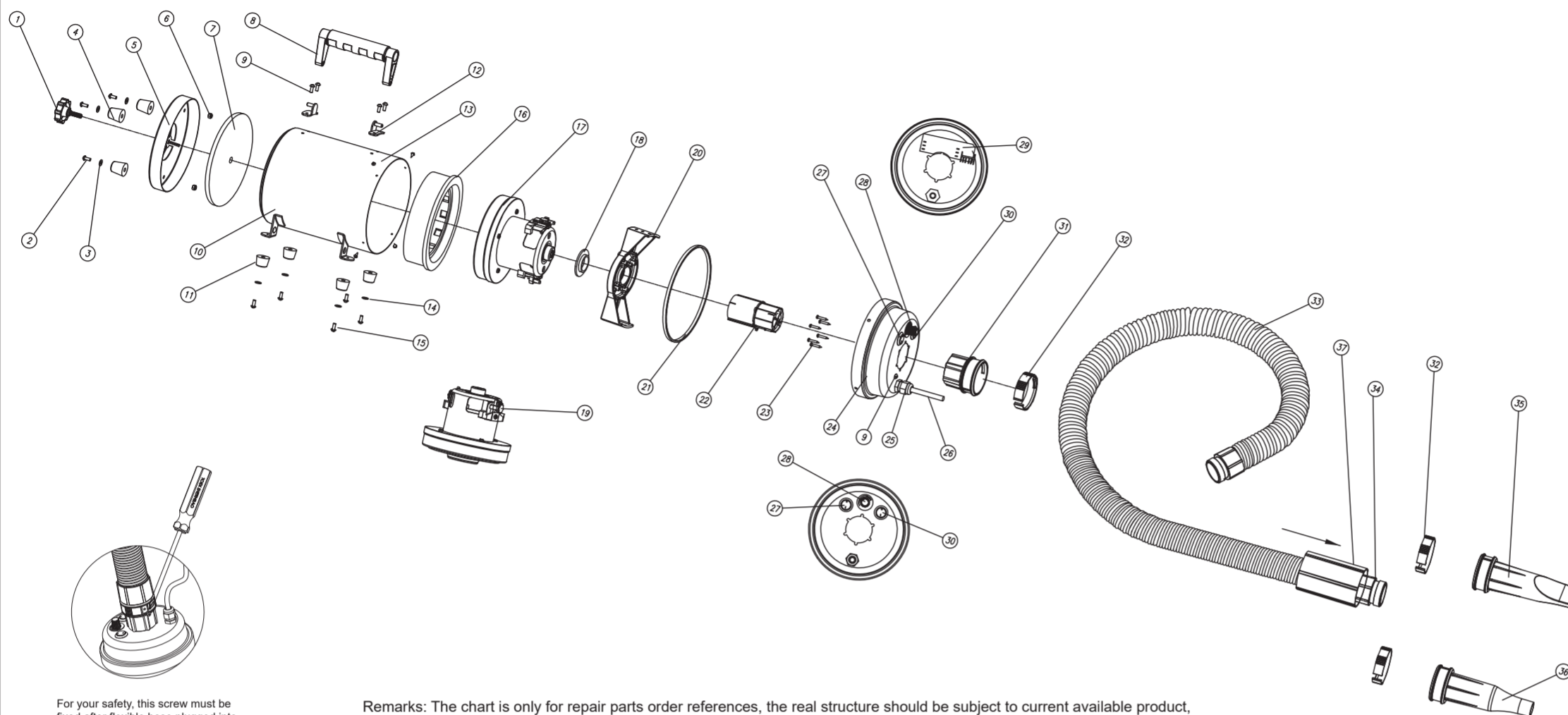


Producer: Shanghai TOEX International Trading Co., Ltd.  
Address: Floor 5, Building 6, No.675 Zhujin Road,  
Songjiang District, Shanghai, 201615, China

Manufacturer: Shanghai Xunyuan Industrial Co., Ltd.  
Address: Lane 29, No.1509 East Qianming Road,  
Fengjing Town, Jinshan District, Shanghai.

CE BGTCCODX15122021

# Structure Chart



For your safety, this screw must be fixed after flexible hose plugged into the connector on front cap.

Remarks: The chart is only for repair parts order references, the real structure should be subject to current available product, since we may make modifications without notice in formal written form.

Serial No.	Item No.	Part Name	Quantity
1	TD-90001	Rear Cap Fixture Knob	1
2	TD-90002	M4×10 Screw	3
3	TD-90003	Washer	3
4	TD-90004	Rear Cap Rubber Foot	3
5	TD-90005	Rear Cap	1
6	TD-90006	M4 Lock Nut	3
7	TD-90007	Foam Filter	1
8	TD-90008	Handle	1
9	TD-90009	M4×12 Screw and Nut	5
10	TD-90010	Short Housing	1
11	TD-90011	Housing Rubber Foot	4
12	TD-90012	Handle Set	2
13	TD-90013	PA3×8 Self-tapping Screw	4
14	TD-90014	Washer	4
15	TD-90015	M5×10 Screw	4
16	TD-90051	Vibration Absorber Ring (for Motor-B)	1
17	TD-90052	Motor (B-220V/110V)	1
18	TD-90018	Rubber Washer	1
19	TD-90019gt	Carbon Brush	2
20	TD-90020	Single Motor Fixture Bracket	1
21	TD-90021	Rubber Seal	1
22	TD-90022	Heating Element Assembly (220V/110V) (Not installed in 100V model.)	1
23	TD-90023	PA3×16 Self-tapping Screw	6
24	TD-90024	Front Cap -A	1
25	TD-90025	PG-9 Waterproof Cable Connector	1
26	TD-90026	Power Cable	1
27	TD-90027	Heating Switch (Not installed in 100V model.)	1
28	TD-90028	Wind Speed Knob	1
29	TD-90053	PCB-C (220V/110V)	1
	TD-90054	PCB-D (100V)	1
30	TD-90030	Power Switch	1
31	TD-90031	Front Cap D52 Hose Connector	1
32	TD-90032	D52 Nylon Clip	3
33	TD-90033	D52 Flexible Hose	1
34	TD-90034	D52 Hose Connector	2
35	TD-90035	D52 Narrow Nozzle	1
36	TD-90036	D52 Round Nozzle	1
37	TD-90055	D52 Heat Insulation Sleeve	1

## A dryer we have nothing else to entitle but AEOLIAN

## Parameters

## Circuit Diagram

The wind speed and blow force is dramatically different in single motor and dual motor dryers. As powerful as our TD-901T Cyclone single motor dryer is, it can't compare to our Dual Motor Hercules TD-900XT. Hercules double motor dryer measures 955g of blow force; 605g for Cyclone. Our aim was to create a single motor dryer that bridged the gap. We worked on this for a few years, and in 2012 the problem was solved. We created an incredibly powerful single motor dryer which can even match Hercules in both wind speed and blow force. Thus the aptly named AEOLIAN was created.

### Super Blow Force

895g<sup>1</sup> of super blow force, is what AEOLIAN produces. No other single motor dryer comes close Most dual motor dryers in the market perform at the average level of 780 -850g blow force, which to say Monster has already beaten them and just slightly less forceful than our own double motor dryer, Hercules (TD-900XT). 90m/s<sup>2</sup> is a new level of performance in this field.

### Better Mobility

It is a AEOLIAN of performance in a compact, lightweight body. 6kg (even more), this 4.7kg portable single dryer is the ideal choice for all. There are two options for flexibility of use; a stand and wall mount. They both provide hands free usage and leave the work space free for grooming.

### Motor Life Span

The enlarged surface area of the 32mm carbon brush helps to extend the lifespan by 20%. The bigger motor (with stronger torque and slower rotation speed) generates much more wind volume than average motors do; (and helps to extend its own life by rotating less).

### Maintenance

If you compare AEOLIAN with a dual motor dryer, you will find you are saving labor cost, time and money on the maintenance of AEOLIAN. One pair of carbon brushes need to be changed after about 800 service hours (rather than 2 pairs as on a dual motor dryer). Much Simpler internal structure and less wiring translate to less time devoted to maintenance.

### Noise Control

As strong and powerful as the AEOLIAN is, it remains remarkably quiet. It's only 79dbA when noise dosimeter is positioned above Monster.

### Safety Performance

The USA produced temperature switch, cuts the heating element of the TD-901GT in 25ms, and begins working again after the core temperature of the heating element reduces to 85 degrees Celsius, which allows the TD-901GT to perform at an output temperature of a maximum of 52 degrees Celsius<sup>3</sup>. TD-901GT has high temperature resistant silicone wiring, switch and circuit boards. The emergency cut off switch responds readily if perchance a motor were to overheat.

### Ease of Use

AEOLUS TD-901GT has a proprietary easy use nozzle attachment which allows the operator to remove the nozzle head with the use of just one finger, with a simple click of the attachment. Aeolus TD-901GT nozzle allows reattachment of nozzle head with just one click.

### Accessories

AEOLUS TD-901GT options include:  
Wall mounting bracket  
Groomers' third arm  
Dryer Stand

Please check instruction manual for further details

### Testing Condition:

All testing results are under condition of 220V-50Hz, using 2800W model.  
1)2.5m long flexible hose, Φ16mm round nozzle, fixed above the high precision electronic scale at 220mm, record the blow force indication.  
2)2.5m long flexible hose, Φ16mm round nozzle, fixed at the distance of 180mm to the center of wind cup, record the wind speed indication.  
3)52℃ means the sensor fixed at the position of 3cm away from the end of round nozzle never takes a value higher than 52℃ in a 3 hours continuous testing, when the environmental temperature is at 32℃.  
Remarks: all the testing is executed on professional testing platforms.

## Direction for Use

1. Plug the flexible hose to the front cap connector.
2. Plug in socket with right voltage, switch power on.
3. Adjust wind speed, turn on or off the heating switch and choose suitable nozzle according to your need.
4. Turn the wind speed knob back to Minimum, turn off the heating switch and then turn off the power switch after usage.
5. Unplug the dryer from the mains, unplug the hose and nozzle, and put the machine and accessories back to box.

## Maintenance

1. Please clean the sponge filter by washing or air blowing, be sure to fix the filter again when it's dry.
2. Keep the surface clean and dry, and use a dry and soft cloth to clean the painted surface.
3. Wet cloth with neutral detergent and wipe to remove stubborn stains and dirt.
4. Use only mild neutral detergent.
5. When the carbon brushes run out, please renew the brushes following the guide line in this booklet or consult with the professionals.

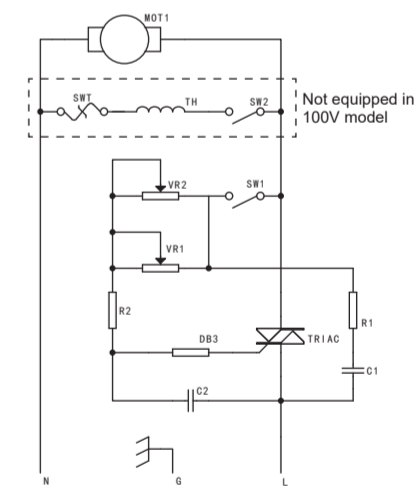
### Correct Disposal of this product

This marking indicates that this product should not be disposed with other household wastes throughout the EU. To prevent possible harm to the environment or human health from uncontrolled waste disposal, recycle it responsibly to promote the sustainable reuse of material resources. To return your used device, please use the return and collection systems or contact the retailer where the product was purchased. They can take this product for environmental safe recycling.



Product Name	AEOLIAN	TD-901GT
Rated Voltage	220V-240V/50Hz	110V-120V/60Hz 100V/60Hz
Blow Force	895g	726g 726g
Rated Current	12.7A	19.1A 15A
Maximum Power	2800W	2100W 1500W
Maximum Wind Speed <sup>1)</sup>	90m/s	73m/s 73m/s
Minimum Wind Speed		27m/s
Heating Power	600W	600W
Maximum Temperature (Environmental Temperature at 32℃)		52℃
Noise (on top of the dryer at 1m)	79dbA	78dbA 78dbA
Noise (on top of the dryer at 0.5m)	86dbA	85dbA 85dbA
Net Weight	4.75kg	4.1kg 4.1kg
Gross Weight	5.5kg	4.9kg 4.9kg
Product Dimension (Flexible Hose not included)		340×160×210mm
Packing Dimension (L×W×H)		450×300×230mm
Class		0

Remarks:  
①: We cannot find any anemoscope to measure the real wind speed of this TD-901GT dryer, between the another single motor dryer CYCLONE in our line and TD-901GT.  
1.The parameters are tested with 2.5m long flexible hose and Φ16mm round nozzle.  
2.We may not publish formal notice in written form when the parameters changed after new improvements.  
3.The manufacturing standards and testing stands subject to TOEX company standard. TPXS-ALPD-0901(T)-2012.



## Safety Instruction

1. Pet dryer needs a single outlet which is at least 10A and has ground wire for itself. Please connect pet dryer with a correct outlet and do not share with other appliances.
2. Before switch on or turn off the power every time, please adjust the wind and temperature to the lowest, this can extend the lifetime of the machine.
3. Do not insert pins or any metal things into the clearance of the machine, otherwise that would be easy to get an electric shock and short circuit.
4. Do not use a cloth or bag to stop the diffuser or foam filter; otherwise it would damage the machine.
5. If the machine has been used for some time and a malfunction occurs, you must ask the professional person to repair it. Do not disassemble by yourself.
6. If the power cord is damaged, discontinue use and have repaired by a professional.
7. Please keep children away when you operate the machine.
8. Do not hit the housing with fierce shock or drop the machine from high, which will damage the frame and motor.
9. Cardiopath or people with pacemaker are forbidden to use this machine.
10. Please hold the nozzle and hose firmly before turning the machine on, or the hose may wiggle and cause injury.
11. Must plug hose into the front cap connector before turning the machine on.
12. It's strictly forbidden to touch the components in the front cap connector with hand or any other objects in any situation.
13. Appliance is not intended for use by persons (including children) with reduced physical, sensory or mental capabilities, or lack of experience and knowledge, unless they have been given supervision or instruction concerning use of the appliance by a person responsible for their safety.
14. Children should be supervised to ensure that they do not play with the appliance.
15. If the supply cord is damaged, it must be replaced by the manufacturer or its service agent or a similarly qualified person in order to avoid a hazard.