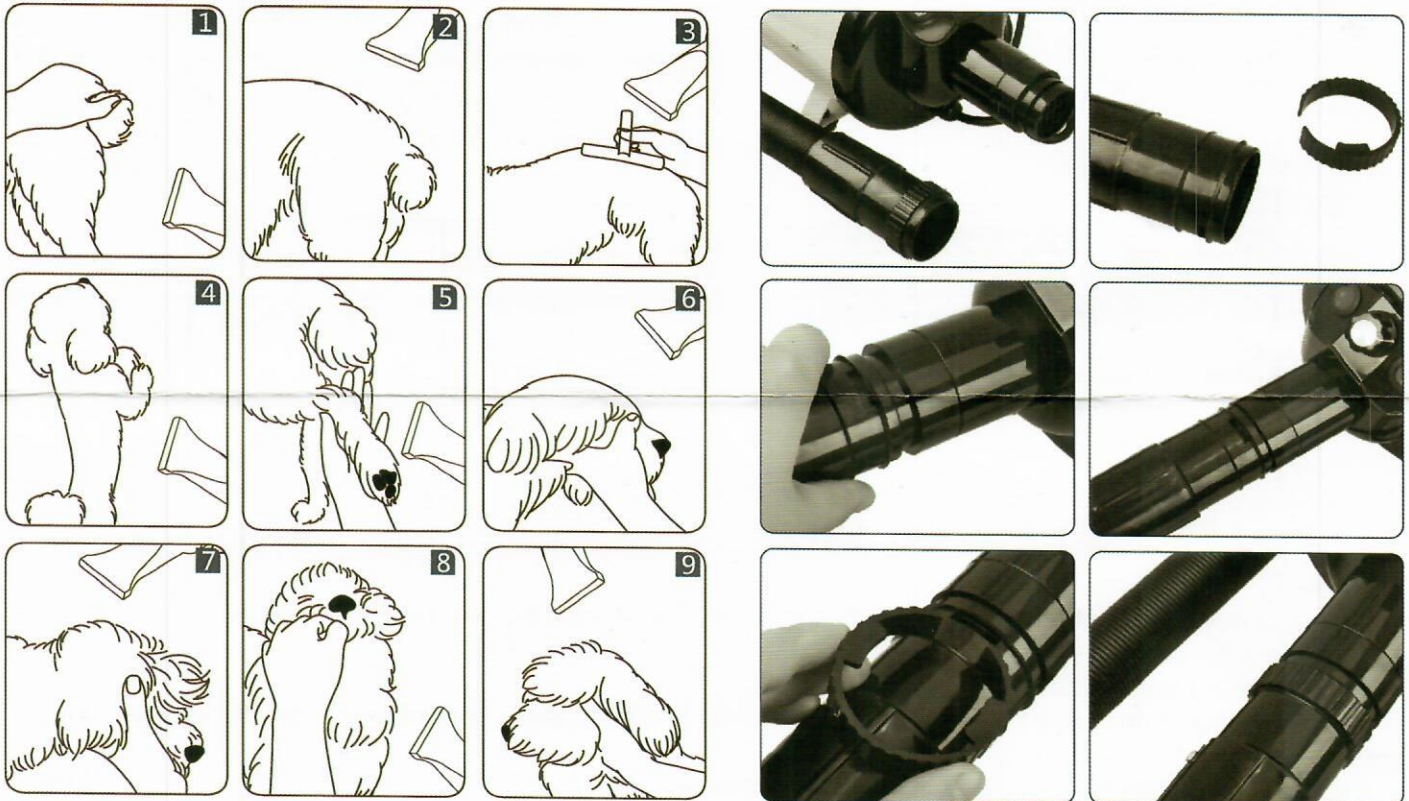


### OPERATION GUIDE

- A. Ensure that you are using an AC 230V power source.
- B. Before turning on the unit, make sure that nothing is blocking the air intake at the rear of the unit.
- C. Place the unit on a flat surface.
- D. Install the hose according to the pictures provided below.
- E. Press the power switch, which will illuminate.
- F. Press the "Heat" switch and adjust accordingly. It is recommended to only use the heat option when the indoor temperature is below 50 Fahrenheit degrees.

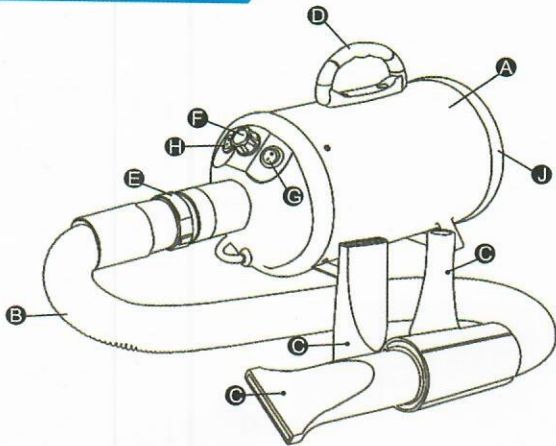


### FREQUENT QUESTIONS

- ▶ Q: Why is my dryer's airflow getting weaker?  
A: Please check your air intake and filter to see if the area is blocked.
- ▶ Q: I have a small dog and he is afraid of the dryer, What should I do?  
A: We recommend adjusting the airflow to a lower setting until he becomes used to it. Additionally, You can remove the nozzle and just let the air blow out of the hose.
- ▶ Q: How do I clean the filter?  
A: Please unscrew the filter cover at the rear of the unit, Then remove the filter. Shake the filter out and run it under water to flush out any debris. DO NOT install the filter while it is wet. This will damage the unit.
- ▶ Q: I believe that my dryer is broken, How can I make a warranty claim?  
A: Should this happen, Please email [info@trim.nl](mailto:info@trim.nl) and you will get a replacement without hassles.
- ▶ Q: Why is my dryer making a very high-pitched squeal?  
A: When this happens, We recommend turning on the heater and letting hot air flow from the unit for approximately 10 minutes. If that still has not corrected the matter, Please contact [info@trim.nl](mailto:info@trim.nl) for further assistance.

- ▶ Q: I love your dryer and want to promote it on social media. Do you offer any incentives for this?  
A: Sure! We would be pleased to work with you.
- ▶ Q: I want to be a distributor for SHELANDY products, How can I set up a wholesale account.  
A: We are looking forward to cooperate with you, Please contact [info@trim.nl](mailto:info@trim.nl) for further negotiation.

## PARTS CHECKLIST



- |                         |                       |
|-------------------------|-----------------------|
| A. Dryer's body         | F. Airflow controller |
| B. Flexible hose        | G. Power switch       |
| C. Nozzles              | H. Heater switch      |
| D. Handle               | J. Filter storage     |
| E. Buckle for connector |                       |

## TECHNICAL DATA

Model	STL-1902
Power	2400W
Voltage	230V(AC)
Frequency	50/60Hz
Airflow Speed	65m/s
Noise range	70db-80db
Heating range	85-130°F
Net/Gross weight	9.2/10.5 lbs

## SAFETY NOTICE

- ▶ Do not operate the appliance with a broken cord or plug or if the appliance malfunctions, or is dropped or damaged in anyway.
- ▶ Always unplug the unit when not in use or left unattended. Do not wrap the cord around the appliance.
- ▶ Never carry the unit by its power cord.
- ▶ Do not drop or insert any object into any opening.
- ▶ We do not recommend using the built-in heater during the summer months. The heated airflow may damage your pet's hair and skin.
- ▶ If however, the airflow is inadvertently obstructed during use, the built in thermal safety device will automatically cut out the appliance. This dryer will switch on again automatically after cooling down for a few minutes.
- ▶ Please be sure to keep the air intake at the rear of the unit clear of debris or blockage. Lack of proper airflow will damage the unit's motor and impact product's life.
- ▶ If there happens to be a fault with the motor, the power light will illuminate but no airflow will be produced. Immediately turn off the heater as continued use without airflow may result in a fire. Should this happen, contact our Customer Service team immediately at [info@trim.nl](mailto:info@trim.nl) for assistance.
- ▶ For additional protection, the installation of a residual current device (RCD) having a rated residual operating current not exceeding 30 mA is advisable in the electrical circuit supplying the bathroom. Ask your installer for advice. (NOTE: Mains sockets might not be permitted in average sized bathrooms according to local wiring regulations.)



**Danger! Electric shock due to damage of appliance.**