

AEOLUS

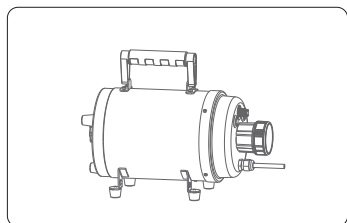
Professional Pet Drying Equipments Supplier



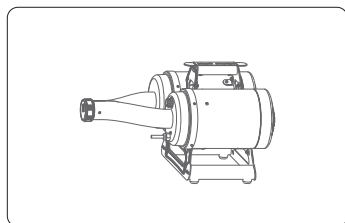
AEOLUS

PET DRYER

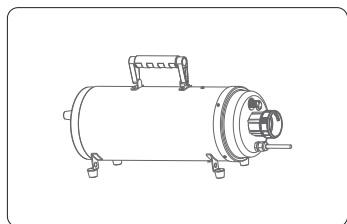
TD-941



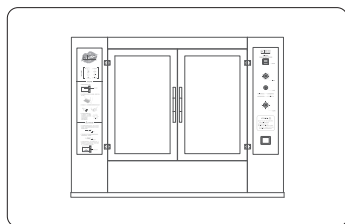
TD-901GT



TD-900CG



TD-900XT



TD-907L

Distributor Contacts

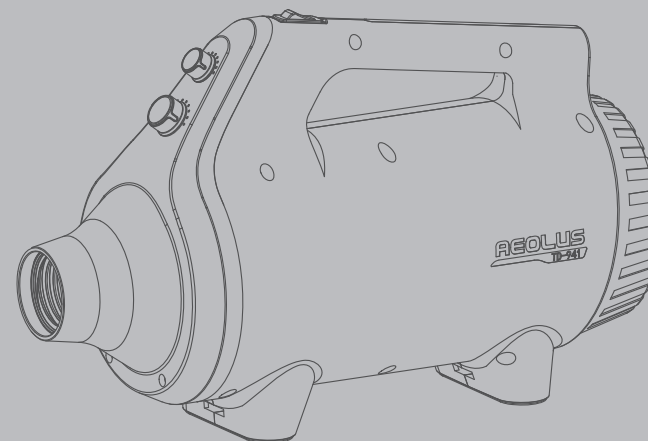


AEOLUS

Producer: Shanghai TOEX International Trading Co., Ltd.
Address: Floor 5, Building 6, No.675 Zhujin Road,
Songjiang District, Shanghai, 201615, China

Manufacturer: Shanghai Xunyun Industrial Co., Ltd.
Address: Lane 29, No.1509 East Qianming Road,
Fengjing Town, Jinshan District, Shanghai.

New
Generation



User Manual

CE BGTCVAQX01112021

Brief Introduction

Thank you for purchasing our products!

This dryer is an innovative brushed/brushless pet dryer, professional for pet grooming.

Large air volume, fast wind speed, high mechanical efficiency, and long service life.

Self-cooling nozzle ensures a safe and comfortable holding experience.

Two nozzles meet different blowing needs: The crescent-shaped flat nozzle is suitable for quick drying the pets' slender parts such as legs and tails; the round nozzle with a special inclined end will not only be used in regular direct blowing, but can also play a guiding role in drying the abdomen and other parts that are not easy for direct touch.

The addition of a 50cm-long super-strength insulation sheath ensures the safety of the pet groomers by avoiding the risk of "low temperature burns" on their front arms.

Zero-leakage shell and low noise.

Overheat protection Heater.

Controllable Wind Speed & Adjustable Heating

Easy maintenance and cleaning.

Parts List

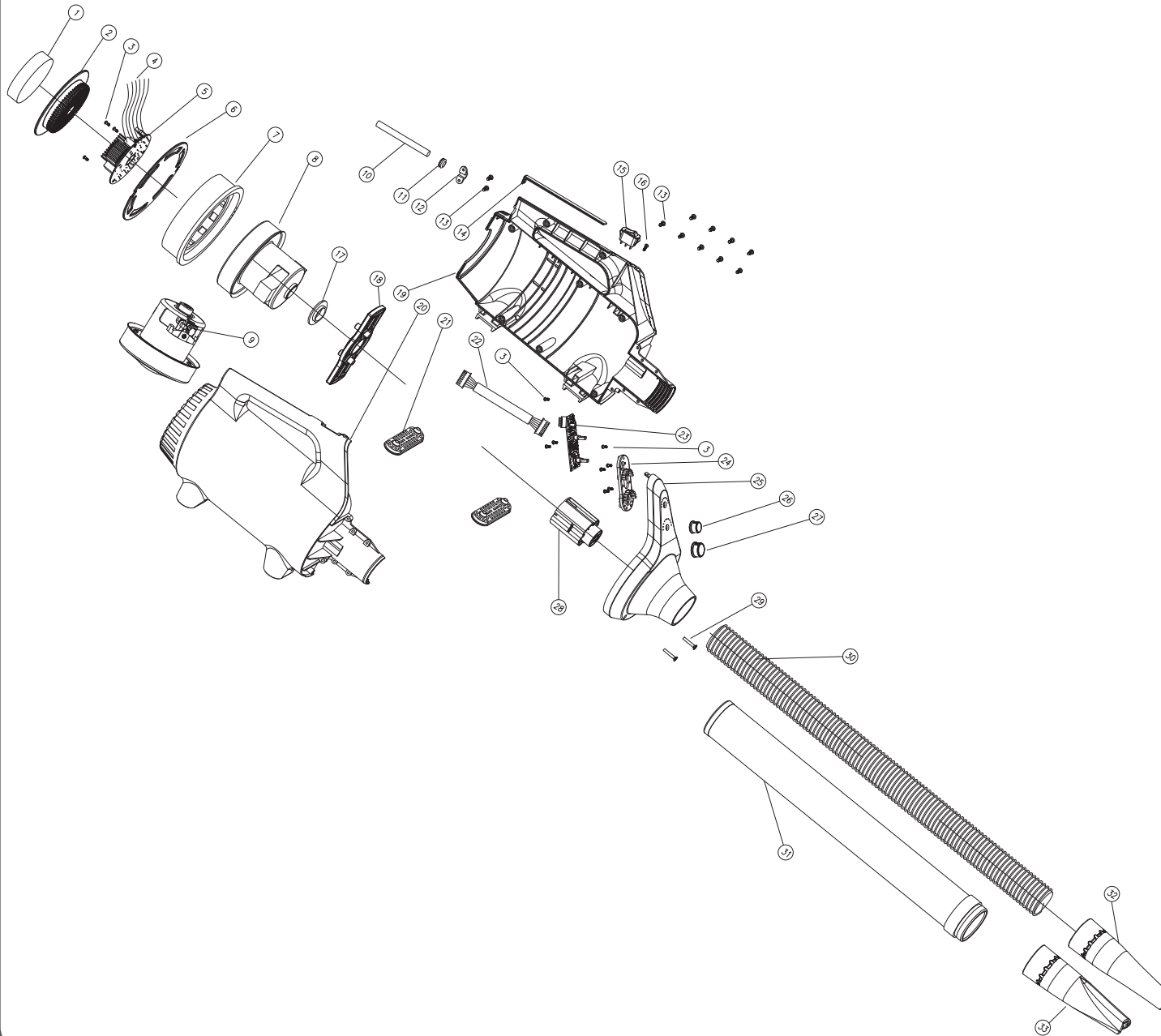
1 Dryer

1 Hose

1 Sheath

2 Nozzles (flat and round)

Structure Chart



| Serial No. | Item No. | Part Name | Quantity |
|------------|----------------------|--|----------|
| 1 | TD-90093 | Foam Filter (TD-941 series) | 1 |
| 2 | TD-90094 | Plastic Air Intake Filter | 1 |
| 3 | TD-90023 | PA3×16 Self-tapping Screw | 11 |
| 4 | TD-90066 | Blue Silicon Cable 1.5mm ² ×290mm | 1 |
| | | Brown Silicon Cable 1.5mm ² ×290mm | 1 |
| | | Blue Silicon Cable 0.75mm ² ×400mm | 1 |
| | | Brown Silicon Cable 0.75mm ² ×350mm | 1 |
| | | Blue Silicon Cable 1.5mm ² ×460mm | 1 |
| | | Brown Silicon Cable 1.5mm ² ×260mm | 1 |
| 5 | TD-90095 | PCB-G (TD-941T/941GT) | 1 |
| | TD-90096 | PCB-H (TD941NOVA) | 1 |
| 6 | TD-90097 | Rear Separator Panel | 1 |
| 7 | TD-90016-T | Vibration Absorber Ring for T type Motor | 1 |
| | TD-90016-GT | Vibration Absorber Ring for GT type Motor | 1 |
| | TD-90017 | TD-941T Brushed Motor | 1 |
| 8 | TD-90052 | TD-941GT Brushed Motor | 1 |
| | TD-90098 | TD-941NOVA Brushless Motor | 1 |
| 9 | TD-90019-T | Carbon Brush for T type Motor | 1 |
| | TD-90019-GT | Carbon Brush for GT type Motor | 1 |
| 10 | TD-90099 | Power Cable for TD-941 series | 1 |
| 11 | TD-90100 | Power Cable Protective Ring | 1 |
| 12 | TD-90101 | Cable Clamp | 1 |
| 13 | TD-90102 | M4x12 Self-tapping Screw | 17 |
| | TD-90103-RED | Decorative Strip-RED | 1 |
| | TD-90103-PPL | Decorative Strip-PPL | 1 |
| 14 | TD-90103-BLK | Decorative Strip-BLK | 1 |
| | TD-90103-WHT | Decorative Strip-WHT | 1 |
| | TD-90103-BLU | Decorative Strip-BLU | 1 |
| 15 | TD-90104 | Power Switch (TD-941 series) | 1 |
| 16 | TD-90105 | M3x10 Self-tapping Screw | 1 |
| 17 | TD-90018 | Rubber Washer | 1 |
| 18 | TD-90106 | Single Motor Fixture Bracket (TD-941 series) | 1 |
| | TD-90107-RED | TD-941 Left Housing-RED | 1 |
| | TD-90107-PPL | TD-941 Left Housing-PPL | 1 |
| 19 | TD-90107-BLK | TD-941 Left Housing-BLK | 1 |
| | TD-90107-WHT | TD-941 Left Housing-WHT | 1 |
| | TD-90107-BLU | TD-941 Left Housing-BLU | 1 |
| | TD-90108-RED | TD-941 Right Housing-RED | 1 |
| | TD-90108-PPL | TD-941 Right Housing-PPL | 1 |
| 20 | TD-90108-BLK | TD-941 Right Housing-BLK | 1 |
| | TD-90108-WHT | TD-941 Right Housing-WHT | 1 |
| | TD-90108-BLU | TD-941 Right Housing-BLU | 1 |
| 21 | TD-90109 | Rubber Foot | 2 |
| 22 | TD-90110 | Control Signal Cable | 1 |
| 23 | TD-90111 | Control Circuit Board | 1 |
| 24 | TD-90112 | Light Pipe Assembly | 1 |
| | TD-90113-RED | TD-941 Front Cap-RED | 1 |
| | TD-90113-PPL | TD-941 Front Cap-PPL | 1 |
| 25 | TD-90113-BLK | TD-941 Front Cap-BLK | 1 |
| | TD-90113-WHT | TD-941 Front Cap-WHT | 1 |
| | TD-90113-BLU | TD-941 Front Cap-BLU | 1 |
| 26 | TD-90114 | Heating Knob | 1 |
| 27 | TD-90115 | Wind Speed Knob | 1 |
| 28 | TD-90022(-220V/600W) | Heating Element Assembly | 1 |
| 29 | TD-90116 | M4×25 Flat-head Cross Screw | 2 |
| 30 | TD-90033-250-RED | D52 Flexible Hose-250cm-RED | 1 |
| | TD-90117-KISS | Heat Insulation Sheath-KISS | 1 |
| 31 | TD-90117-AEOLUS | Heat Insulation Sheath-AEOLUS | 1 |
| 32 | TD-90118-RED | Inclined Round Nozzle-RED | 1 |
| 33 | TD-90119-RED | Concave Narrow Nozzle-RED | 1 |

Safety Instruction

1. Pet dryer needs a single outlet which meets the requirements and has ground wire for itself. Please connect pet dryer with a correct outlet and do not share with other appliances.
2. Before switch on or turn off the power every time, please adjust the wind and temperature to the lowest, which can extend the lifetime of the machine.
3. Do not insert pins or any metal things into the clearance of the machine to avoid an electric shock and short circuit.
4. Do not use a cloth or bag to stop the diffuser or foam filter or it will do damage the machine.
5. If the machine has been used for some time and a malfunction occurs, you must ask the professional person to repair it. Do not disassemble by yourself.
6. If the power cord is damaged, discontinue use and have repaired by a professional.
7. Please keep children away when you operate the machine.
8. Do not hit the housing with fierce shock or drop the machine from high, which will damage the frame and motor.
9. Cardiopath or people with pacemaker are forbidden to use this machine.
10. Please hold the nozzle and hose firmly before turning the machine on, or the hose may wiggle and cause injury.
11. Must plug hose into the front cap connector before turning the machine on.
12. It's strictly forbidden to touch the components in the front cap connector with hand or any other objects in any situation.
13. The appliance is not intended for use by persons (including children) with reduced physical, sensory or mental capabilities, or lack of experience and knowledge, unless they have been given supervision or instruction concerning use of the appliance by a person responsible for their safety.
14. Children should be supervised to ensure that they do not play with the appliance.
15. If the supply cord is damaged, it must be replaced by the manufacturer or its service agent or a similarly qualified person in order to avoid a hazard.
16. To avoid electric shock, the power distribution box should be equipped with a leakage protector.
17. Do not use the product near water or in a wet or damp place. Keep away from the wet places such as the bathtub, the sink, and anything else related with water.

Operation Instruction

1. Plug the flexible hose into the front cap connector. Choose and install a suitable nozzle according to your need.
2. Plug in the socket with correct voltage, switch power on.

3. Rotate the wind speed knob to adjust the wind speed. Rotate the heating knob to adjust the wind temperature.
4. Turn the wind speed knob back to minimum, turn the heating knob back to minimum and then turn off the power switch after usage.
5. Unplug the dryer from the mains, unplug the hose and nozzle, and put the machine and accessories back to box.

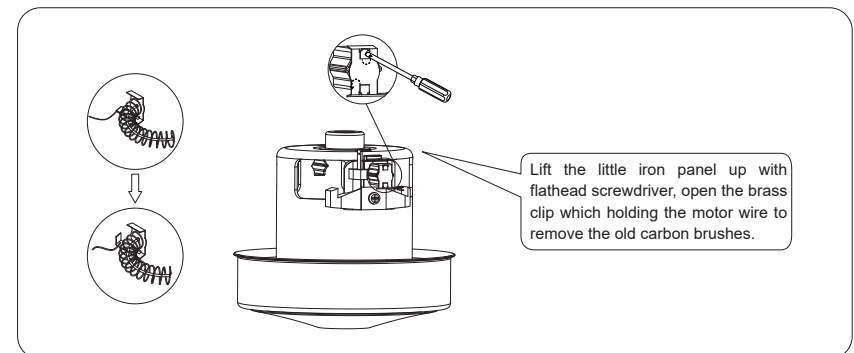
Maintenance

1. Please clean the sponge filter by washing or air blowing, be sure to fix the filter again when it's dry.
2. Keep the surface clean and dry, and use a dry and soft cloth to clean the surface.
3. Wet cloth with neutral detergent and wipe to remove stubborn stains and dirt.
4. Use only mild neutral detergent.
5. For brushed dryers, when the carbon brushes run out, please renew the brushes following the guide line in this booklet or consult with the professionals.

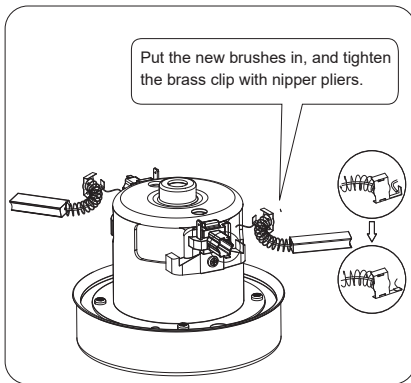
Carbon Brush Replacement

The power supply must be cut off before changing carbon brushes.

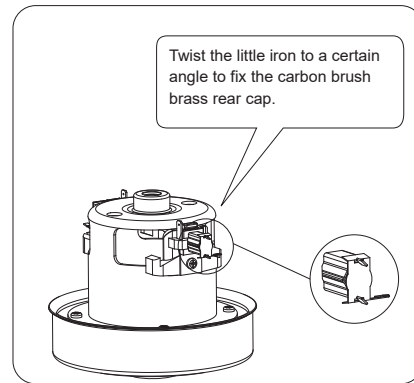
1. Remove the retaining screws on front cap by cross screwdriver, and open the front cap.
2. Remove the screws which fix the left part of the shell to right part of the shell, and separate the two parts.
3. Remove the motor bracket, press the clip down on the connectors of the wires to motor, unplug the wires and take out the motor.
4. Lift the little iron panel up with flathead screwdriver, open the brass clip which holding the motor wire to remove the old carbon brushes.



5. Put the new brushes in, and tighten the brass clip with nipper pliers.



6. Twist the little iron to a certain angle to fix the carbon brush brass rear cap.

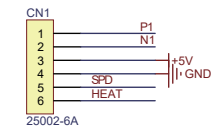
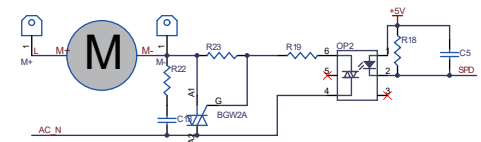
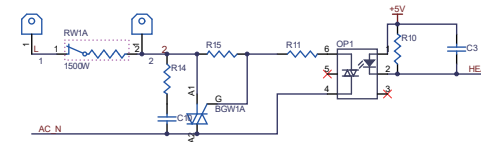
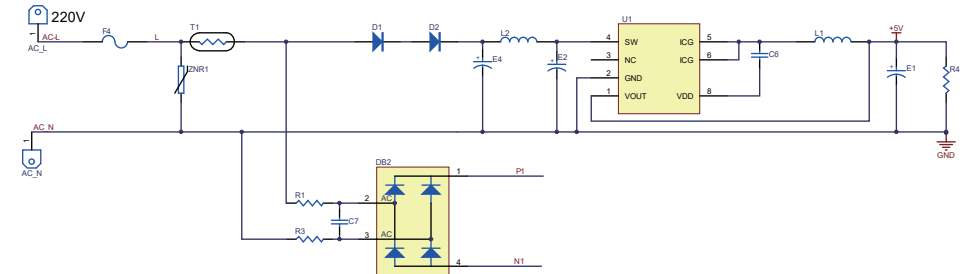


7. Put all the parts back in reverse order.

Parameters

| Product Model | TD-941T | TD-941GT | TD-941NOVA | TD-941T | TD-941GT | TD-941NOVA |
|---------------------------|---------------|----------|------------|------------|----------|------------|
| Rated Voltage / Frequency | 220V, 50Hz | | | 110V, 60Hz | | |
| Rated Current | 8.2 | 12.7 | 10 | 16.4 | 20 | 18.2 |
| Maximum Power | 1800W | 2800W | 2200W | 1800W | 2200W | 2000W |
| Motor | Brushed | Brushed | Brushless | Brushed | Brushed | Brushless |
| Heating Power | 600W | | | | | |
| Noise | 80 decibels | | | | | |
| Net Weight | 4.7kg | | | | | |
| Gross Weight | 5.4kg | | | | | |
| Product Dimension | 415x166x268mm | | | | | |
| Packing Dimension | 465x320x245mm | | | | | |

Circuit Diagram



Correct Disposal of This Product

This marking indicates that this product should not be disposed with other household wastes throughout the EU. To prevent possible harm to the environment or human health from uncontrolled waste disposal, recycle it responsibly to promote the sustainable reuse of material resources. To return your used device, please use the return and collection systems or contact the retailer where the product was purchased. They can take this product for environmental safe recycling.

